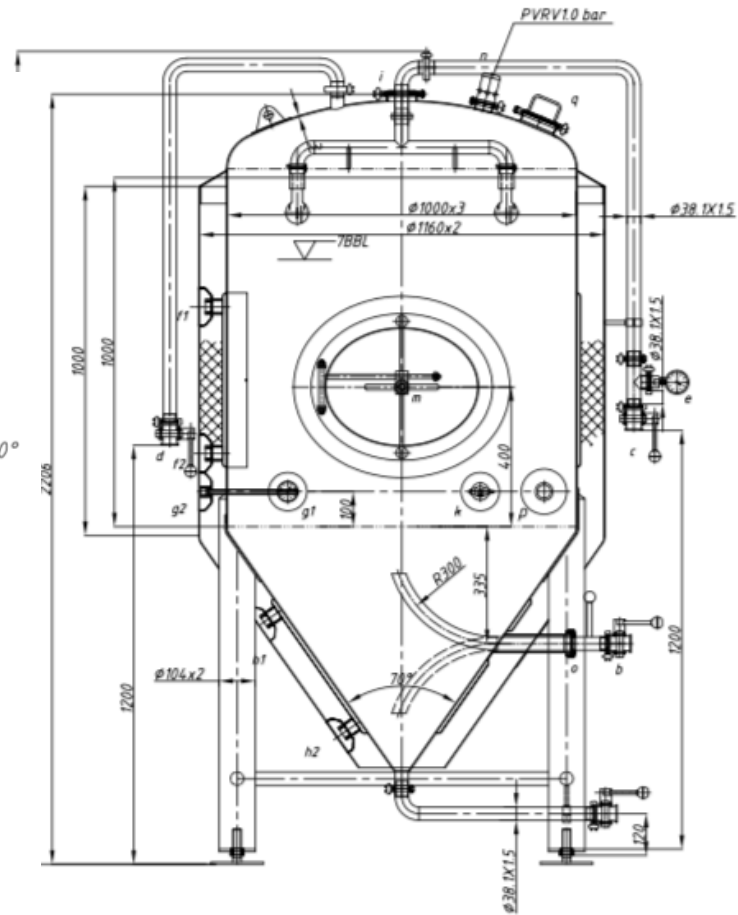
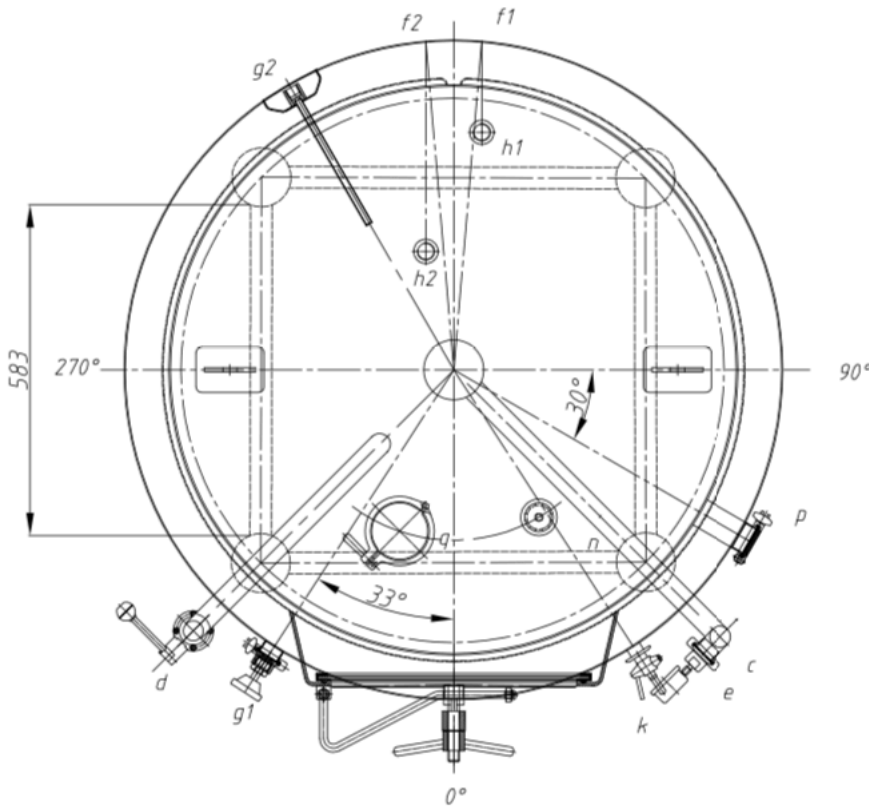


Lawson Kegs Inc.

BEVERAGE EQUIPMENT



DESIGN PARAMETERS

Description		PRESSURE	
Container Class		CONTAINER	JACKET
Parameter Name			
Working Pressure	Mpa	0.1	0.2
Design Pressure	Mpa	0.11	0.22
Working Temperature	°C	0 - 120	
Design Temperature	°C	0 - 120	
Medium		Refrigerant	
Medium Density		water	
Material		304	
Full Volume	L	1123	
Effective Volume	L	821	
Heat transfer Area	m ²	2.1	
Insulation Material		Polyurethane	
Insulation Thickness	mm	80	
Pressure Test	Mpa	0.14	0.28
Air-Tightness Test	Mpa		
Dry Weight	Kg	500	
Wet Weight	Kg	1321	
Size	mm	L : 1200	W : 1200 H: 2550
Package			